

Topo-Bathymetric Airborne Laser Scanning System
with Online Waveform Processing and Full Waveform Recording

RIEGL VQ-880-G II

- **designed for combined topographic and bathymetric airborne survey**
- **green laser scanner with up to 700kHz measurement rate**
- **IR laser scanner with up to 279kHz measurement rate and improved ranging performance**
- **high accuracy ranging based on echo digitization and online waveform processing with multiple-target capability**
- **multiple-time-around processing for straightforward mission planning and operation**
- **concurrent full waveform output for all measurements for subsequent full waveform analysis for the green channel**
- **high resolution due to high measurement rate**
- **integrated inertial navigation system**
- **up to two integrated digital cameras**
- **compatibility with stabilized mounting platforms**

The design of the VQ-880-G II topo-bathymetric airborne laser scanning system allows flexible application of the integrated, factory-calibrated high-end GNSS/IMU system and of up to two cameras to meet specific requirements. Complemented by a RIEGL data recorder, the VQ-880-G II LiDAR system can be installed on various platforms in a straightforward way.

The RIEGL VQ-880-G II carries out laser range measurements for high resolution surveying of underwater topography with a narrow, visible green laser beam, emitted from a powerful pulsed laser source. Subject to clarity, at this particular wavelength the laser beam penetrates water enabling measurement of submerged targets.

The distance measurement is based on the time-of-flight measurement with very short laser pulses and subsequent echo digitization and online waveform processing. To handle target situations with most complex multiple echo signals, beside the online waveform processing the digitized echo waveforms can be stored on the RIEGL solid state data recorder for subsequent off-line waveform analysis.

The laser beam is deflected in a circular scan pattern and hits the water surface at a nominally constant incidence angle.

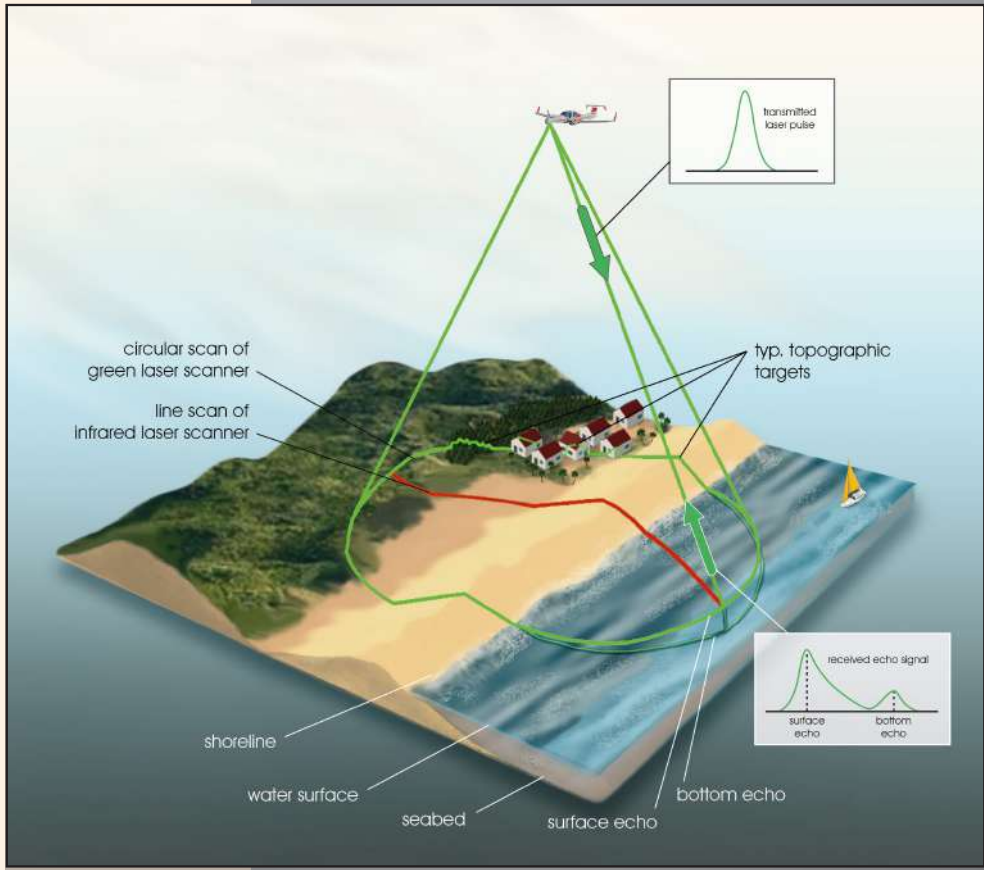
The VQ-880-G II comprises a high precision inertial measurement sensor for subsequent precise estimation of the instrument's exact location and orientation. An infrared laser scanner is integrated to supplement the data gained by the green laser scanner. Up to two high-resolution digital cameras provide RGB image data and/or IR image data. The rugged internal mechanical structure together with the dust- und splash water proof housing enables long-term operation on airborne platforms and is compatible with stabilizing mounts.

Typical applications include

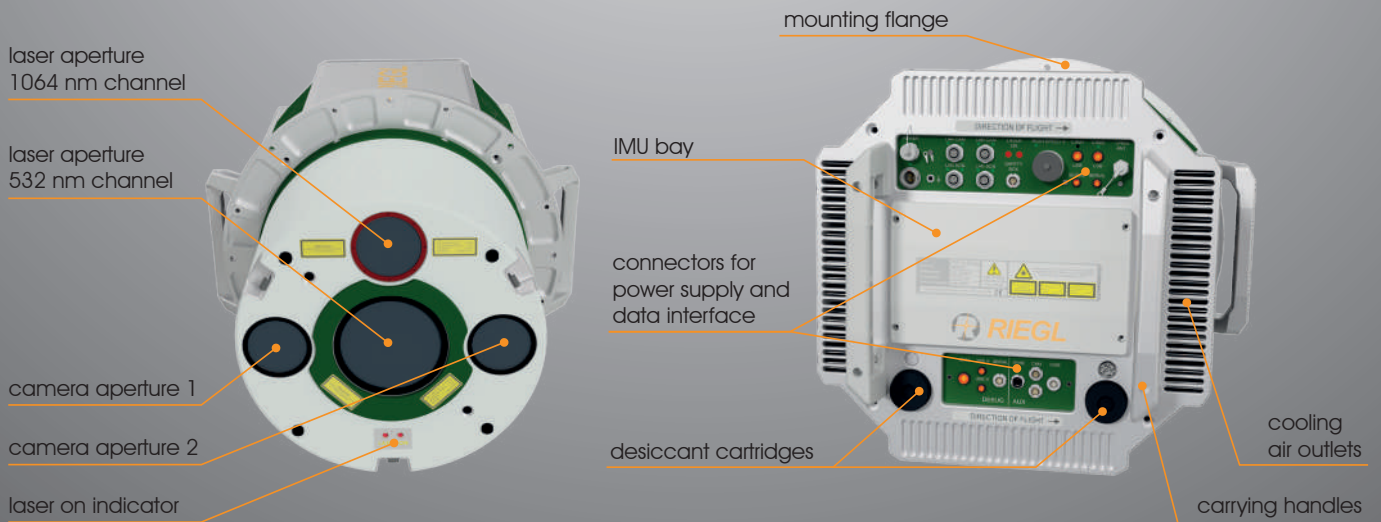
- **coastline and shallow water mapping**
- **acquiring base data for flood prevention**
- **measurement for aggradation zones**
- **habitat mapping**
- **surveying for hydraulic engineering**
- **hydro-archeological-surveying**



RIEGL VQ-880-G II Scan Pattern

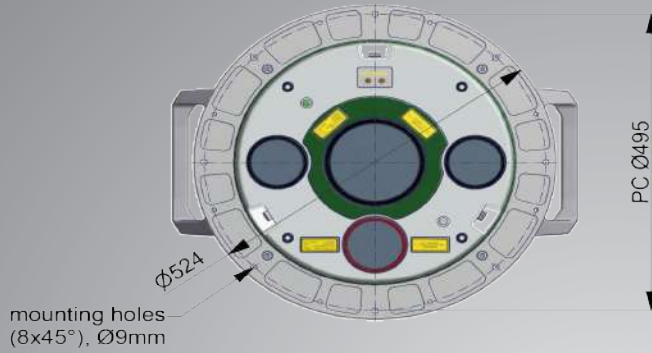


RIEGL VQ-880-G II Elements of Function and Operation

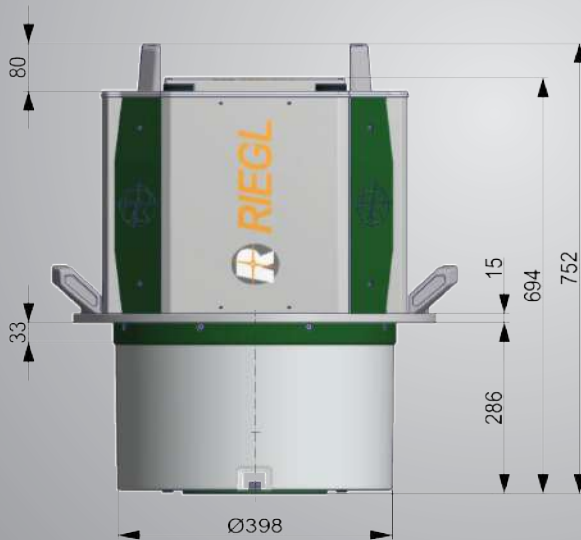


RIEGL VQ-880-G II Main Dimensions

bottom view



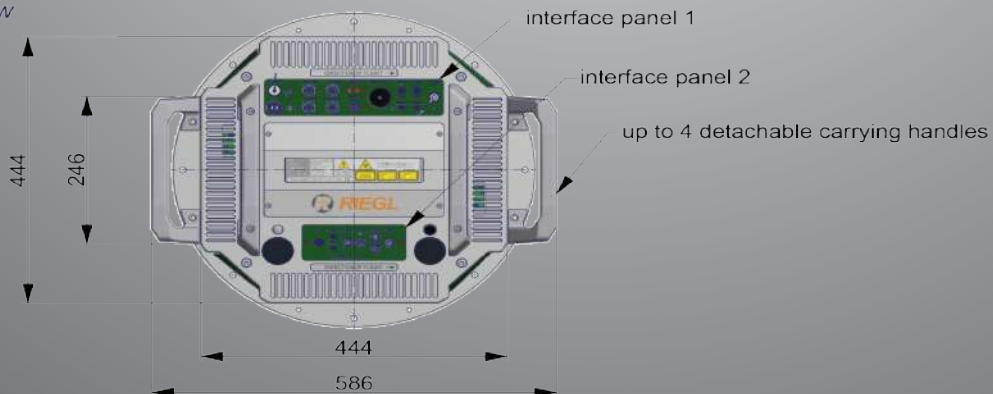
front view



side view



top view



all dimensions in mm

RIEGL VQ-880-G II Technical Data

Export Classification

The Topo-Bathymetric Airborne Laser Scanner VQ-880-G II has been designed and developed for commercial topographic, hydrographic and bathymetric surveying applications.

Laser Product Classification

Class 3B Laser Product according to IEC60825-1:2014

The following clause applies for instruments delivered into the United States: Complies with 21 CFR 1040.10 and 1040.11 except for conformance with IEC 60825-1 Ed.3., as described in Laser Notice No. 56, dated May 8, 2019.

The instrument must be used only in combination with the appropriate laser safety box.

NOHD ¹⁾

1) NOHD ... Nominal Ocular Hazard Distance, based upon MPE according to IEC60825-1:2014, for single pulse condition

INFRARED LASER CHANNEL

Range Measurement Performance

Measuring Principle

Max. Measurement Range ^{3) 4) 5)}

@ Laser Pulse Repetition Rate

natural targets $\rho \geq 20\%$

natural targets $\rho \geq 60\%$

Max. Operating Flight Altitude ⁶⁾

Above Ground Level (AGL)

Minimum Range ⁷⁾

Accuracy ^{8) 10)}

Precision ^{9) 10)}

Laser Pulse Repetition Rate ^{11) 12)}

Max. Effective Measurement Rate ^{6) 12)}

Echo Signal Intensity

Number of Targets per Pulse

Laser Wavelength

Laser Beam Divergence

Laser Beam Footprint (Gaussian Beam Definition)

Scanner Performance

Scanning Mechanism / Scan Pattern

Field of View (selectable)

Scan Speed (selectable)

Angular Step Width $\Delta \vartheta$ (selectable)

between consecutive laser shots

Angle Measurement Resolution

The VQ-880-G II is subject to export restrictions as set up by the Wassenaar Arrangement. It is classified as dual-use good according to position number 6A8j3 of the official Dual-Use-List to be found on site <http://www.wassenaar.org>.

Within the European Union, Council Regulation (EC) No 428/2009 implements the export restrictions of the Wassenaar Arrangement. The corresponding position number is **6A008j3**.



180 m ²⁾

2) NOHD is determined by green laser scanner, @ 80 lps, 1.1 mrad, 550 kHz; NOHD of the infrared laser scanner: 60 m @ 900 kHz

time of flight measurement, echo signal digitization, online waveform processing

	150 kHz	300 kHz	600 kHz	900 kHz
natural targets $\rho \geq 20\%$	1800 m	1300 m	950 m	800 m
natural targets $\rho \geq 60\%$	2800 m	2100 m	1600 m	1300 m
Max. Operating Flight Altitude ⁶⁾	1600 m (5250 ft.)	1100 m (3600 ft.)	850 m (2790 ft.)	700 m (2290 ft.)

10 m

25 mm

25 mm

up to 900 kHz

47 000 meas./sec (@ 150 kHz PRR & 40° FOV)

93 000 meas./sec (@ 300 kHz PRR & 40° FOV)

186 000 meas./sec (@ 600 kHz PRR & 40° FOV)

279 000 meas./sec (@ 900 kHz PRR & 40° FOV)

for each echo signal, high-resolution 16 bit intensity information is provided practically unlimited (details on request) ¹³⁾

1.064 nm (near infrared)

0.3 mrad ¹⁴⁾

30 mm @ 100 m, 150 mm @ 500 m, 300 mm @ 1000 m

rotating polygon / mirror / curved parallel lines

$\pm 20^\circ = 40^\circ$

28 - 200 scans/sec

$0.006^\circ \leq \Delta \vartheta \leq 0.042^\circ$ (for PRR 600 kHz)

better than 0.001° (3.6 arcsec)

3) The following conditions are assumed: target larger than the footprint of the laser beam, average ambient brightness, visibility 23 km, perpendicular angle of incidence.

4) In bright sunlight, the operational range may be considerably shorter and the operational flight altitude may be considerably lower than under an overcast sky.

5) Ambiguity to be resolved by post-processing with RIMTA ALS software.

6) Reflectivity $\rho \geq 20\%$, 20° FOV, additional roll angle $\pm 5^\circ$

7) Limitations for range measurement capability does not consider laser safety.

8) Accuracy is the degree of conformity of a measured quantity to its actual (true) value.

9) Precision, also called reproducibility or repeatability, is the degree to which further measurements show the same result.

10) One sigma @ 150m range under RIEGL test conditions.

11) Rounded values.

12) User selectable.

13) If the laser beam hits, in part, more than one target, the laser's pulse power is split accordingly. Thus, the achievable range is reduced.

14) Measured at the $1/e^2$ points. 0.30 mrad corresponds to an increase of 30 cm of beam diameter per 1000 m distance.

GREEN LASER CHANNEL

Range Measurement Performance

Measuring Principle

time of flight measurement, echo signal digitization, online waveform processing, full waveform recording for post processing

Hydrography

Typ. Measurement Range ³⁾

1.5 Secchi depth for bright ground ($\rho \geq 80\%$) ⁴⁾

Topography (diffusely reflecting targets)

Max. Measurement Range ^{6) 7) 8)}

natural targets $\rho \geq 20\%$

natural targets $\rho \geq 60\%$

2500 m

3600 m

Minimum Range

10 m

Accuracy ^{9) 11)}

25 mm

Precision ^{10) 11)}

25 mm

Laser Pulse Repetition Rate

up to 700 kHz ⁵⁾

Max. Effective Measurement Rate ⁵⁾

200 000 meas./sec (@ 200 kHz PRR)

400 000 meas./sec (@ 400 kHz PRR)

550 000 meas./sec (@ 550 kHz PRR)

700 000 meas./sec (@ 700 kHz PRR)

Echo Signal Intensity

for each echo signal, high-resolution 16 bit intensity information is provided

Number of Targets per Pulse

online waveform processing: up to 9, depending on measurement program ¹²⁾

Laser Wavelength

532 nm, green

Laser Beam Divergence

selectable, 0.7 up to 2.0 mrad ¹³⁾

Laser Beam Footprint (Gaussian Beam Definition)

100 mm @ 100 m, 500 mm @ 500 m, 1000 mm @ 1000 m ¹⁴⁾

Scanner Performance

Scanning Mechanism / Scan Pattern

rotating prism / circular

Field of View (selectable)

$\pm 20^\circ = 40^\circ$

Scan Speed (selectable)

30 - 80 lines per second (lps) ¹⁵⁾

Angular Step Width $\Delta \vartheta$ (selectable)

$0.02^\circ \leq \Delta \vartheta \leq 0.052^\circ$ (for PRR 550 kHz)

between consecutive laser shots

Angle Measurement Resolution

better than 0.001° (3.6 arcsec)

3) The Secchi depth is defined as the depth at which a standard black and white disc deployed into the water is no longer visible to the human eye.

4) at 650 m flight altitude

5) rounded values

6) The following conditions are assumed: target larger than the footprint of the laser beam, average ambient brightness, visibility 23 km, perpendicular angle of incidence, ambiguity to be resolved multiple-time-around processing.

7) In bright sunlight, the operational range may be considerably shorter than under an overcast sky.

8) Reflectivity $\rho \geq 20\%$, 40° FOV, additional roll angle $\pm 5^\circ$

9) Accuracy is the degree of conformity of a measured quantity to its actual (true) value.

10) Precision, also called reproducibility or repeatability, is the degree to which further measurements show the same result.

11) Topography, one sigma @ 150m range under RIEGL test conditions.

12) If the laser beam hits, in part, more than one target, the laser's pulse power is split accordingly. Thus, the achievable range is reduced.

13) Measured at the $1/e^2$ points. 1.0 mrad corresponds to an increase of 100 mm of beam diameter per 100 m distance.

14) The laser beam footprint values correspond to a beam divergence of 1mrad.

15) One line corresponds to a full revolution (360°) of the scan mechanism which can be split into two user-defined segments.

RIEGL VQ-880-G II Technical Data

IMU/GNSS Performance ^{1) 2)}

IMU Accuracy ³⁾	0.0025°
Roll, Pitch	0.005°
Heading	200 Hz
IMU Sampling Rate	
Position Accuracy (typ.)	
horizontal / vertical	<0.05 m / <0.1 m

Integrated Digital Cameras ⁴⁾

RGB and/or IR Camera	
Sensor Resolution	up to 100 MPixel CMOS without FMC ⁵⁾ or up to 80 MPixel CCD with FMC ⁵⁾
Sensor Dimensions (diagonal)	67.2 mm (medium format)
Focal Length of Camera Lens	50 mm
Field of View (FOV)	approx. 56.2° x 43.7°
Interface	USB 3.0
Data Storage	separate dedicated data recorder

Data Interfaces

Configuration	LAN 10/100/1 000 Mbit/sec
Scan Data Output	LAN 10/100/1 000 Mbit/sec, High Speed Serial Dual Glass Fiber Link to RIEGL Data Recorder
GNSS Interface ⁶⁾	Serial RS-232 interface for data string with GNSS-time information, TTL input for 1 PPS synchronization pulse

General Technical Data

Power Supply Input Voltage	18 - 32 V DC
Power Consumption	typ. 330 W (without IMU/GNSS/cameras) typ. 370 W (with IMU/GNSS/cameras) ⁷⁾ max. 400 W
Main Dimensions (flange diameter x height)	Ø524 mm x 694 mm (without flange mounted carrying handles)
Weight	approx. 65 kg (with IMU/GNSS/cameras and optional infrared laser scanner)
Humidity	non condensing
Protection Class Scan Head	IP54, dust and splash-proof
Max. Flight Altitude ⁸⁾	
operating	16 500 ft (5 000 m) above Mean Sea Level (MSL)
not operating	18 000 ft (5 500 m) above MSL
Temperature Range	
operation / storage	0°C up to +40°C / -10°C up to +50°C

- 1) The INS configuration of the RIEGL VQ-880-G II Laser Scanning System can be modified to the customer's requirements.
- 2) The installed IMU is listed neither in the European Export Control List (i.e. Annex 1 of Council Regulation 428/2009) nor in the Canadian Export Control List. Detailed information on certain cases will be provided on request.
- 3) One sigma values, no GNSS outages, post-processed during base station data.

- 4) The camera configuration of the RIEGL VQ-880-G II Laser Scanning System can be modified to the customer's requirements.
- 5) Forward Motion Compensation
- 6) to be used for external GNSS receiver
- 7) @ 20°C ambient temperature, 100 kHz PRR, 100 scans/sec
- 8) For standard atmospheric conditions: 1013 mbar, +15°C at sea level

